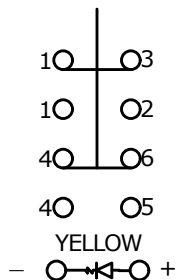


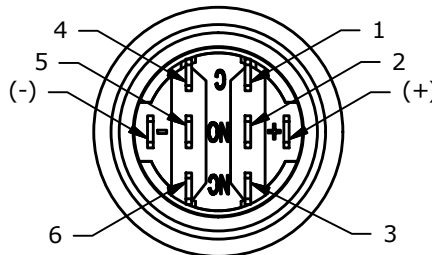
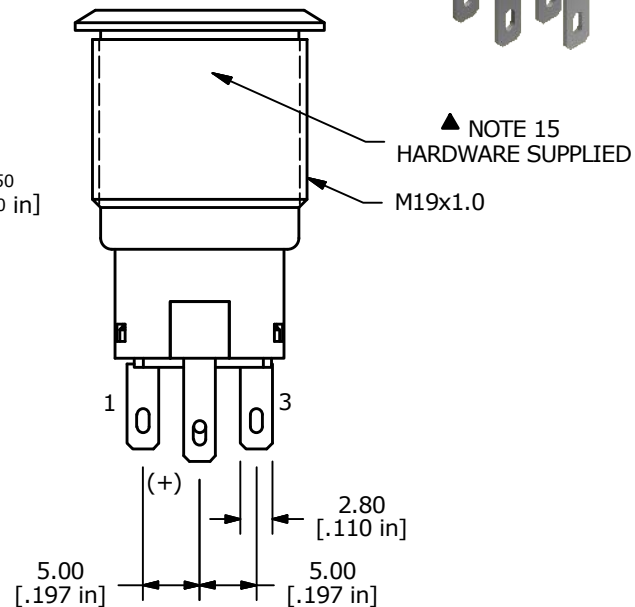
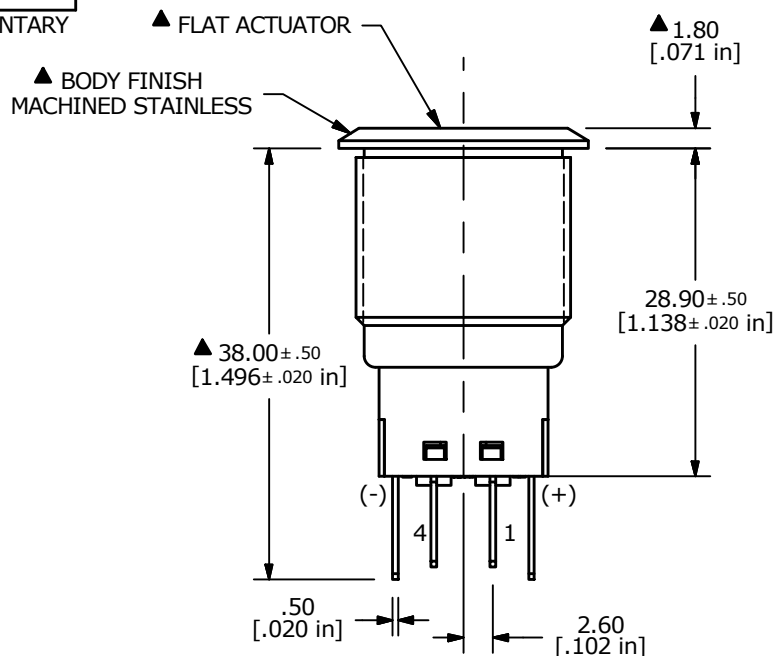
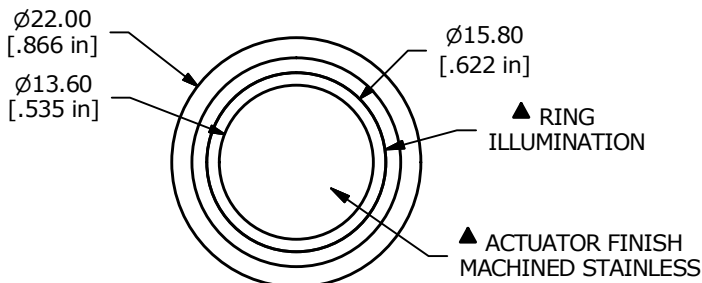
PANEL CUTOUT  
MAX. PANEL THICKNESS  
11.0mm [.433]



▲ DPDT  
CONTACT CONFIGURATION

SWITCH FUNCTION	
POS. 1	POS. 2
ON	(ON)
1-3, 4-6	1-2, 4-5

(ON)= MOMENTARY



- NOTE:
- ALL DIMENSIONS IN mm [INCH]
  - GENERAL TOLERANCE: X.X±0.4  
X.XX±0.25
  - TERMINAL NUMBERS FOR REF ONLY
  - CONTACT MATERIAL: SILVER
  - RATING: 2A 24VDC
  - ELECTRIC LIFE: 50,000 MAKE-AND-BREAK CYCLES AT FULL LOAD.
  - INSULATION RESISTANCE: 1,000 MΩ MIN.
  - DIELECTRIC STRENGTH: 2,000 VAC MIN. FOR 1 MINUTE
  - CONTACT RESISTANCE: 50mΩ MAX. @ 1A 12VDC
  - OPERATING TEMP.: -20°C to 55°C
  - TRAVEL: 2.8mm
  - ▲ DENOTES CRITICAL PARAMETER.
  - LAMP VOLTAGE: 1.8 V; LAMP CURRENT: 20mA
  - INGRESS PROTECTION: IP65
  - HARDWARE SUPPLIED: O-RING AND HEXNUT
  - ILLUMINATION COLOR: YELLOW



B	23602	UPDATED RATING TO 2A @ 24VDC	10/10/18	MJR
A	20903	INITIAL RELEASE	12/03/12	EBP
REV	PCR NO	DESCRIPTION	DATE	BY

TITLE PV4F2H0SS-351				
SCALE 3:2	DATE 12/3/2012	DR EBP	DWG 52-PV4F2H0SS351	REV B

THE INFORMATION CONTAINED IN THIS DOCUMENT IS PROPRIETARY TO E-SWITCH AND IS NOT TO BE COPIED OR TRANSFERRED